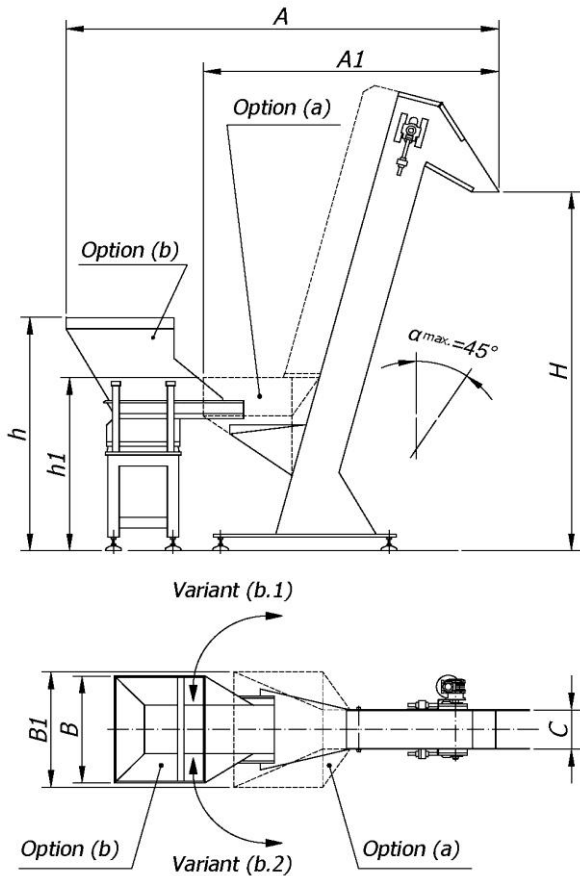
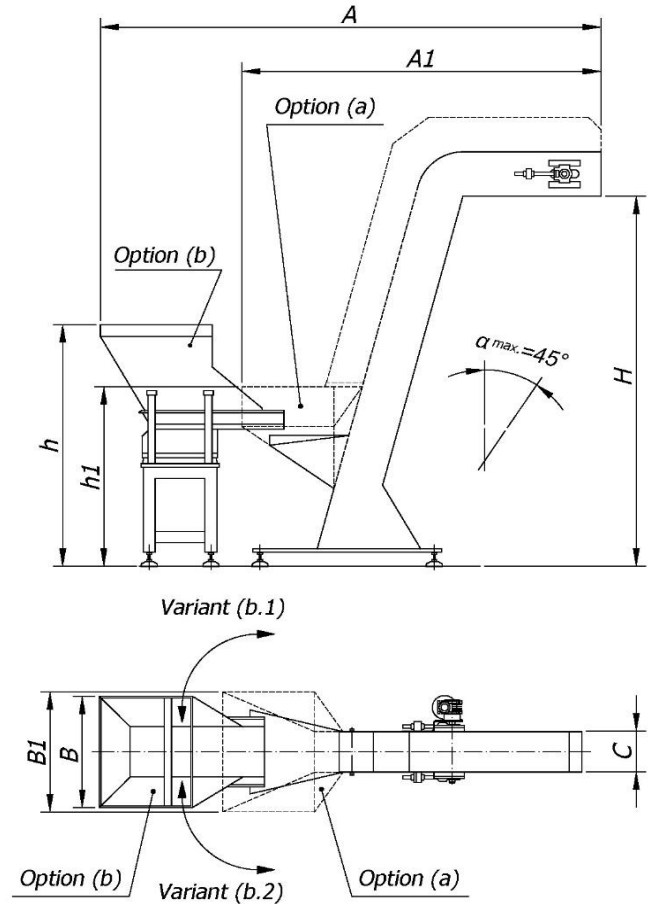


Version 1: Elevation body with inclination associated to the vertical plane.



- Option (a): Elevator with built-in hopper.
 Model RBT (synthetic belt with ribs)
 Model RMT (slat-band chain with ribs)
- Option (b): Elevator with vibratory or motorised autonomy unit.
 Model RB+VT / RB+TBT (synthetic belt with ribs)
 Model RM+VT / RM+TCMT (slat-band chain with ribs)

Version 2: Elevation body with inclination associated to the vertical plane and horizontal inflection at output.



- Option (a): Elevator with built-in hopper.
 Model RBIT (synthetic belt with ribs)
 Model RMIT (slat-band chain with ribs)
- Option (b): Elevator with vibratory or motorised autonomy unit.
 Model RBI+VT / RBI+TBT (synthetic belt with ribs)
 Model RMI+VT / RMI+TCMT (slat-band chain with ribs)

NOTES

- 1.- These autonomy units and assemblies receive the parts in bulk and channel them to the positioning unit, which stocks them through unloading that requires a level control.
- 2.- The transport element allows for various options: synthetic belt or slat-band chain, with ribs or closed receptacles.
- 3.- The most operational version, the elevation angle and the hopper capacity are determined according to the nature of the piece, the requirements of the application and the space available.
- 4.- The construction line of the elevation bodies depends on running criteria, cost and customer preferences; sheets (carbon steel or stainless steel) or aluminium profiles may be used.