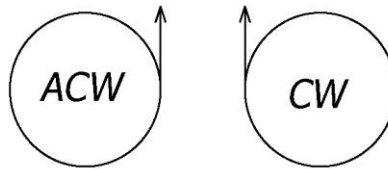
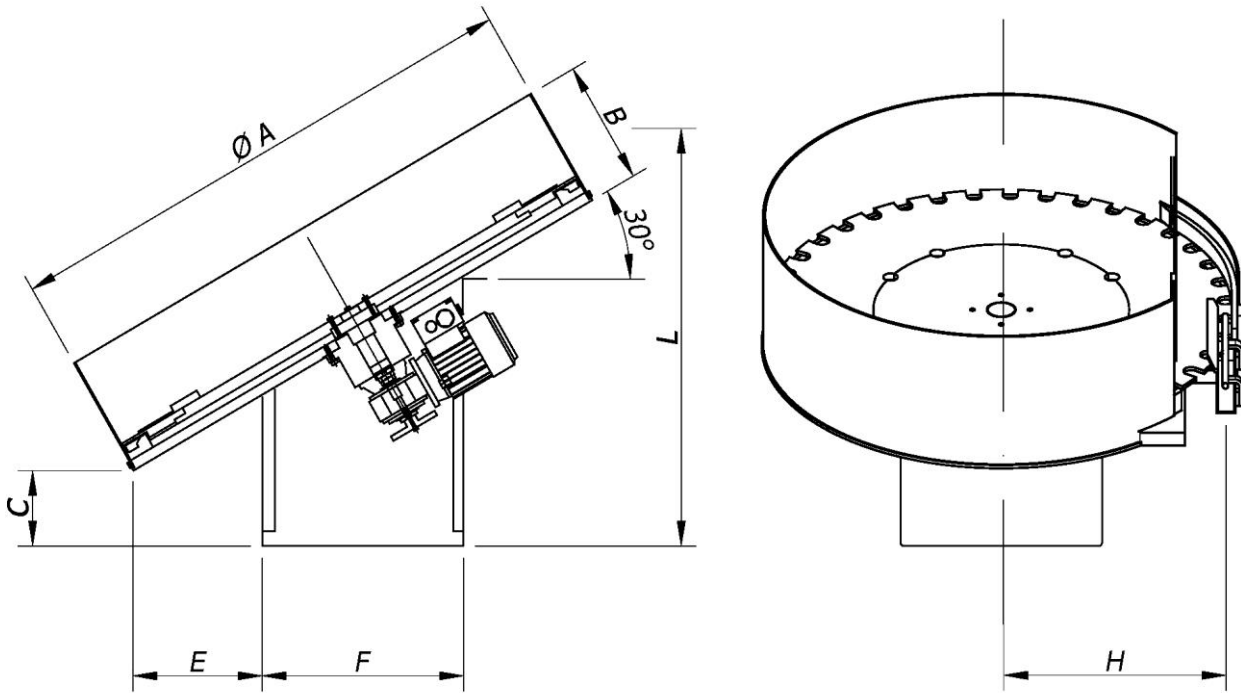


ELECTROMECHANICAL POSITIONING UNITS

Drive unit + selector dial



| Unit model | Measurements (mm) | | | | | | | Maximum consumption (Amp) |
|------------|-------------------|-----|-----|-----|-----|-----|-----|---------------------------|
| | A | B | C | E | F | H | L | |
| MI-60 | 600 | 200 | 165 | 65 | 400 | 282 | 650 | 0,6 |
| MI-80 | 800 | 200 | 110 | 165 | 400 | 382 | 700 | 0,6 |
| MI-100 | 1000 | 250 | 65 | 235 | 400 | 482 | 800 | 0,6 |
| MI-130 | 1300 | 300 | 125 | 330 | 570 | 632 | 880 | 1 |

NOTES

- 1.- The electrical consumption detailed here is the maximum on a standard connection: 380 V (three-phase) / 50 or 60 Hz.