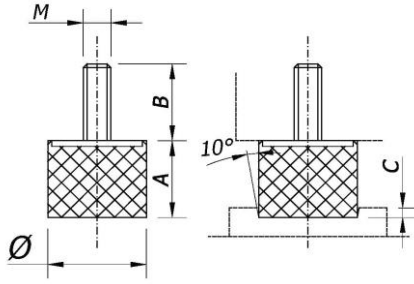


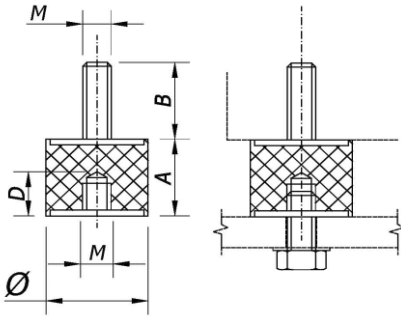
ACCESSORIES

Elastic supports for vibrators

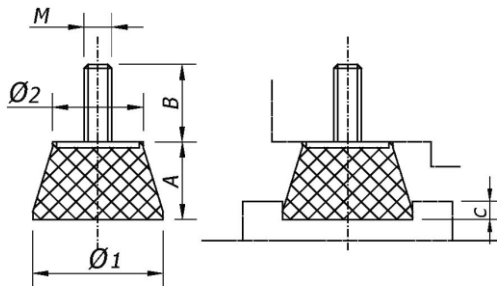
CYLINDRICAL
FORMAT
Single
stud



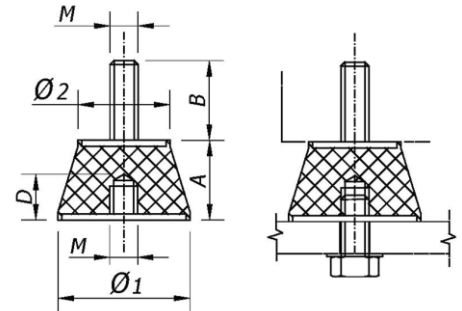
CYLINDRICAL
FORMAT
Mixed
stud



CONICAL
FORMAT
Single
stud



CONICAL
FORMAT
Mixed
stud



CYLINDRICAL FORMAT

VERSION	CODE	MEASUREMENTS (mm)					
		Ø	A	B	C (~)	D	M
Single stud	00349-0*	15	15	8	2	6	5 X0,85
Mixed stud	00349-2*						
Single stud	00350-0*	20	15	8	3	6	6 X1
Mixed stud	00350-2*						
Single stud	00351-0*	26	22	15	5	8	8 X1,25
Mixed stud	00351-2*						
Single stud	00354-0*	60	36	25	10	10	10 X1,5
Mixed stud	00354-2*						
Single stud	00355-0*	70	50	25	10	10	10 X1,5
Mixed stud	00355-2*						

CONICAL FORMAT

VERSION	CODE	MEASUREMENTS (mm)						
		Ø ₁	Ø ₂	A	B	C (~)	D	M
Single stud	00352-0*	40	30	25	15	5	10	10 X1,5
Mixed stud	00352-2*							
Single stud	00353-0*	50	40	35	25	10	10	10 X1,5
Mixed stud	00353-2*							

NOTES

1.- The elastic supports in the table are those that are usually used. However, for some applications, special versions may be installed (in terms of format, hardness or composition).
(*) The code for any elastic support must be accompanied by the number 0=soft / 1=hard (nominal hardness; 45 and 60 Shore, respectively).